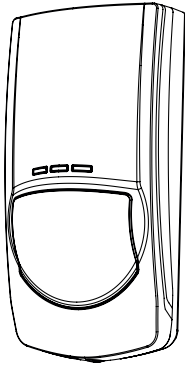


# IR-200-PET

INCERT Approved  
Installation Instructions



Pet Friendly PIR Detector

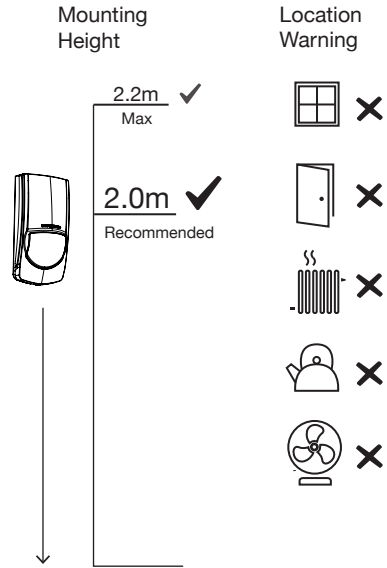
[www.orisec.co.uk](http://www.orisec.co.uk)

## Key Features

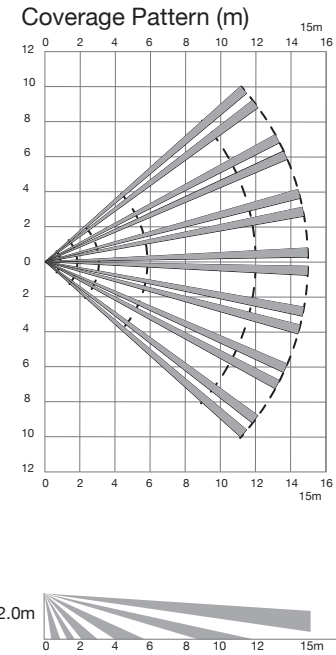
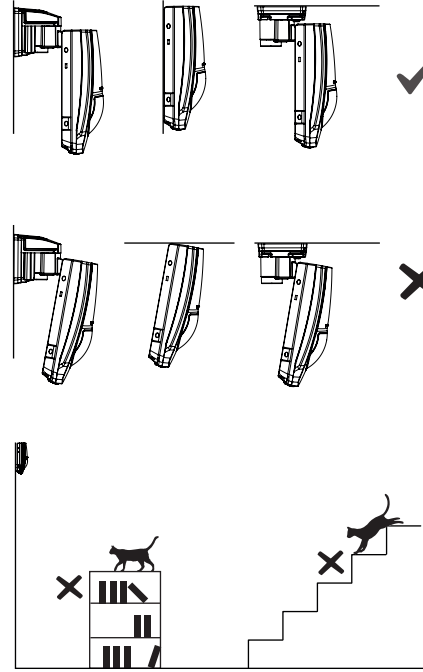
- 35kg Pet Friendly
- 15 Metre Range
- Grade 2
- Multi Height Optics
- 2.0m - 2.2m Mounting Height
- Interchangeable Cartridges
- Selectable EOL Resistors
- Slide to Fit Front Cover
- Remote LED Control
- Sealed Optics
- True Creep Zones
- Digital Pulse Count†
- Temperature Compensation
- Digital Signal Processing†
- RFI Immunity up to 2.7GHz
- Optional Tamper Proof Bracket†

†Patented

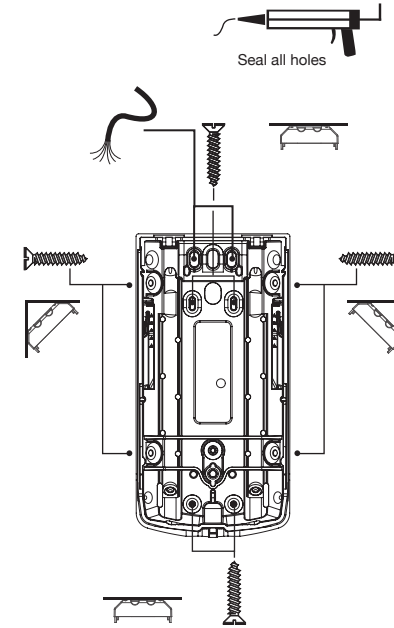
## 1 Location



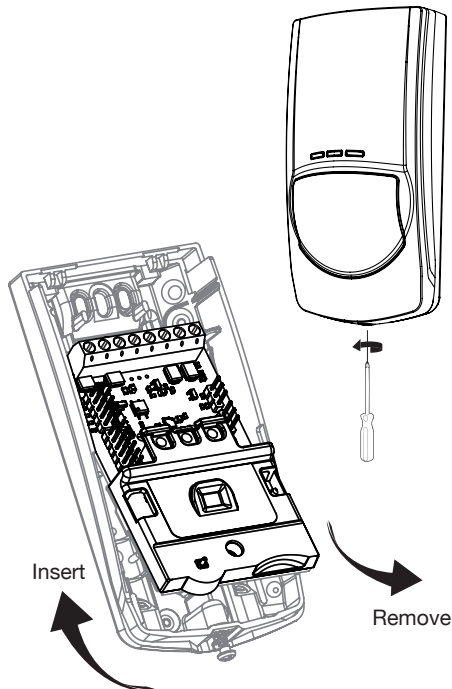
Warning: Do not obscure partially or completely the detector's field of view.



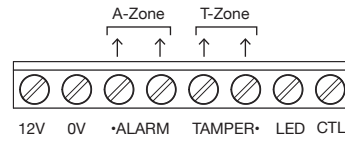
## 2 Mounting without bracket



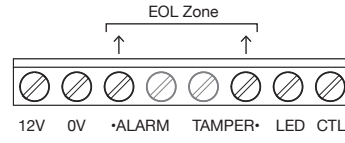
## 3 Detector Setup



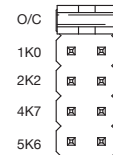
For Double Pole Wiring



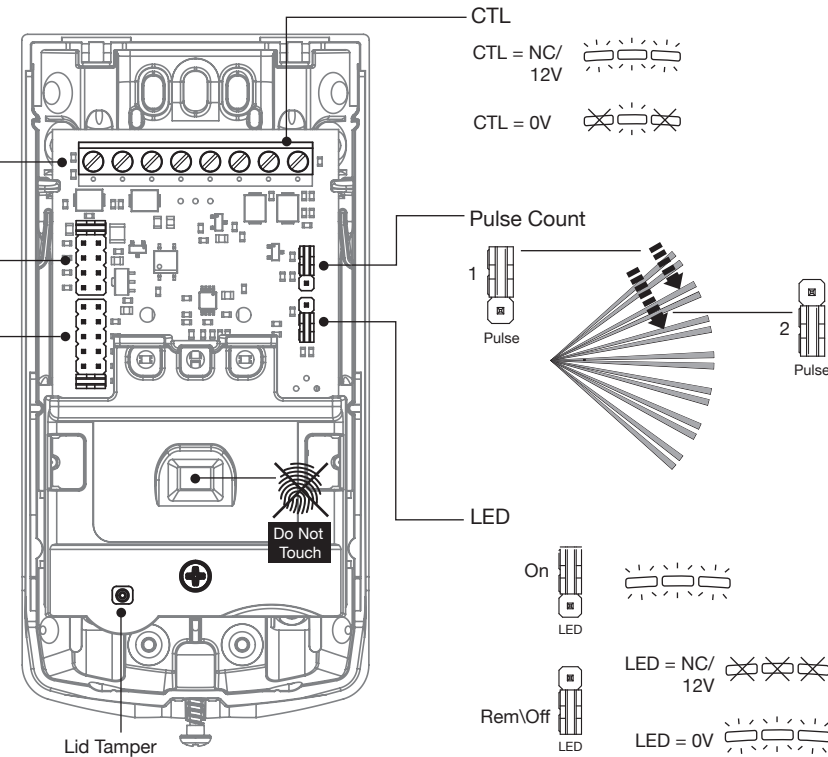
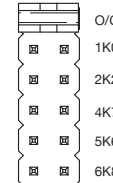
For EOL Wiring



Tamper Resistor



Alarm Resistor



## Specification

Description	Passive Infrared Detector
Pyro Electric Sensor	Dual Element
Max Pet Weight	35kg
Range	15m
Optics	Multi Height Spherical
Mounting Height	2.0m - 2.2m
Supply Voltage	9 - 15VDC (12V nominal)
Quiescent Current	15mA
Max Current (LEDs On)	19mA
LED Control = 0V	LED Enabled
LED Control = 12V / NC	LED Disabled
Pulse Count	Digital
Start-up Time	60 seconds
Alarm Time	> 2 seconds
Target Speed	0.3m/s - 3.0m/s
Dimensions (whd) mm	60 x 118 x 40
Housing Material	2.5mm ASA
Operating Temperature	-20°C to +55°C
Storage Temperature	-35°C to 60°C
Maximum Humidity	95% non-condensing
Product Weight	110g
Packed Weight	125g
Maintenance	Annual Installer Check

## Standards and Approvals

### Security

PD 6662:2017

EN 50131-2-2:2021 Grade 2, Class II

INCERT T 031 + A1:2018

### EMC / False Alarm Immunity

EMC Immunity: EN 50130-4:2011

Radiated Immunity: 80MHz to 2.7GHz

Electrostatic Discharge: +/- 8kV

Conducted Immunity: 0.15MHz to 100MHz

Fast Transient Immunity: 2kV

Conducted & Radiated Emissions: EN 55032:2015

Hereby, Orisec Ltd declares that the IR-200-PET conforms to: European Union (EU) Electro-Magnetic Compatibility (EMC) Directive 2014/30/EU and EN 50130-4:2011+A1:2014

EMC Environment: Residential / Commercial / Light Industrial / Industrial

Certification body: Kiwa



CE: You can view the product EC Declaration of Conformity

here: [orisec.co.uk/compliance](http://orisec.co.uk/compliance)

EU & UK Registered Design

## Warranty

The Orisec IR-200-PET is guaranteed against defects in material or faulty workmanship for a period of 10 years from the date of purchase.

Disclaimer: Orisec will not accept any liability based on a claim that the Orisec IR-200-PET failed to perform correctly as it is a component part of an installation and not a complete intruder alarm system.

## Regulatory



WEEE Directive: 2012/19/EU Compliant: This symbol indicates that according to local laws and regulations, this product should not be disposed of as municipal/household waste. Instead, it should be disposed of at the appropriate collection points designated for the recycling of electrical and electronic equipment, or returned to Orisec upon purchase of new replacement products. This will help to conserve natural resources and ensure that it is recycled in a manner that protects human health and the environment.

**RoHS** RoHS Directive: 2011/65/EU Compliant: Orisec declares that this product complies with and conforms to RoHS legislation that it does not contain more than the agreed levels of: Lead (Pb), Cadmium (Cd), Mercury (Hg), Hexavalent chromium (Cr6+), Polybrominated biphenyls (PBB), Polybrominated diphenyl ethers (PBDE)



Designed and Manufactured  
in the United Kingdom

Manufacturer: Orisec Ltd, 1 St Crispin Way,  
Haslingden, Lancashire. BB4 4PW. United Kingdom



UK Based Technical Support:

t: +44 (0) 1706 398740

e: [support@orisec.co.uk](mailto:support@orisec.co.uk)

© Copyright Orisec Ltd 2017 - 2022