



SBP-180CMS

Swivel based Ceiling Mount

FC



CE

ERC



Key Features

- Color : White
- Material : Aluminum
- Product dimensions / weight : $\phi 180 \times 86.5 \text{mm}$ ($\phi 7.09 \times 3.41 \text{''}$), 970g (2.14lb)

SBP-180CMS

Swivel based Ceiling Mount



Specifications

Mechanical	
Color	White
Material	Aluminum
RAL code	RAL9003
Product dimensions / weight	ø180x86.5mm(ø7.09x3.41"), 970g(2.14lb)
Mount Screw size	TR30
Conduit hole	19.1mm(3/4") (M25)
Supported products	SBP-C15P, SBP-150CMP/300CMP/900CMP - Pipe extension can be supported only 1 time

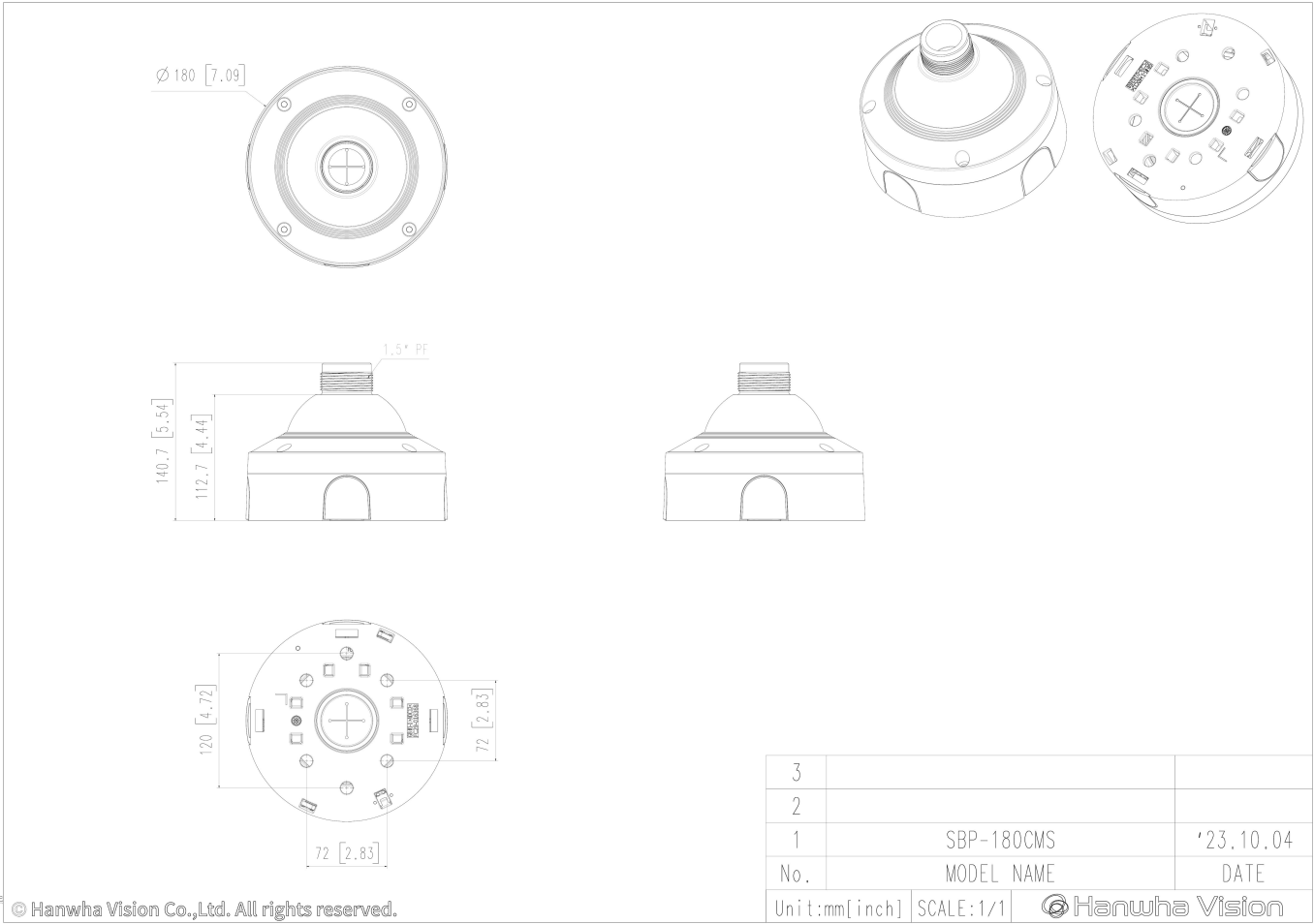


SBP-180CMS

Swivel based Ceiling Mount

CAD

Unit:mm [inch]



© Hanwha Vision Co.,Ltd. All rights reserved.